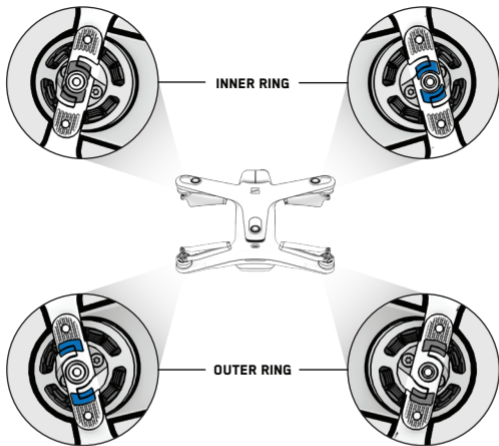


Getting Started

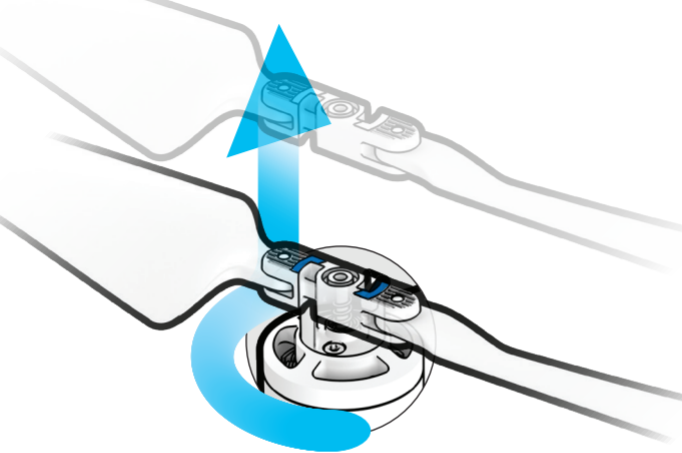
Propellers

Visit skydio.com/getstarted for the full user manual.



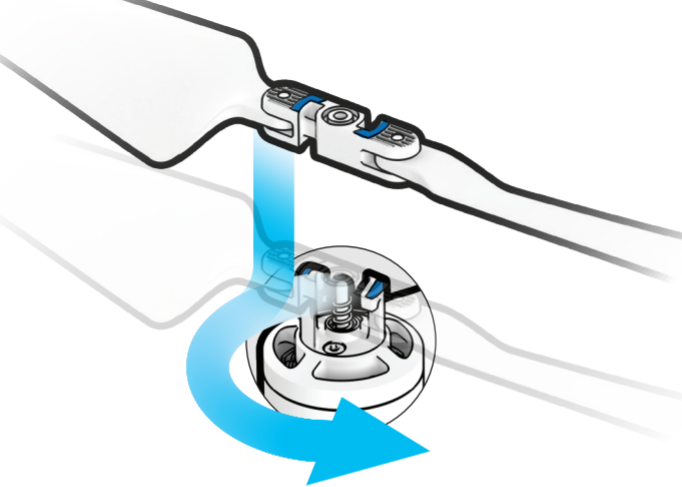
Match Propellers to Hooks

Match props to the correct color hook (blue or gray). Then match the ring location (inner or outer) by flipping over the prop to locate.



Remove Old Propellers

Push down and twist to release old props.



Install New Propellers

Push down and twist to install new props.

For legal and patent information
visit www.skydio.com/legal