

Updates from Skydio contain important enhancements and fixes designed to improve performance, optimize flight controls and features for the operation of your Skydio X2D offline system, Enterprise Controller, and Dual Charger. You can update your vehicles and Enterprise Controller in any order, however it is important that you update the Dual Charger last. You may use the same flash drive (or memory card reader) to update one system at a time or load the update onto several flash drives for simultaneous updates.

To view video instructions:



To update your Skydio X2D offline system you will need:

- a computer with an internet connection
- a memory card reader with USB-C connection **OR** a USB-C flash drive
- that has been authorized by command or IT Security
- formatted to exFAT file system



**NOTE:** If your computer does not have a USB-C port, use a dual USB flash drive (one end is the USB-C other end is a standard USB).

There are two ways to receive the update package from Skydio:

1. SD memory card
2. Secure download

---

## Using a SD memory card

**Step 1** - Insert the SD card that you received from Skydio into a USB-C memory card reader

**Step 2** - Insert the memory card reader into the USB-C port on the vehicle

**Step 3** - Power on the vehicle

- the update will begin automatically
- the lights on your drone will pulse blue
- the camera gimbal will disengage and go slack
- the process may take several minutes
- When the update is complete, the camera gimbal will re-engage

**Step 4** - remove the USB-C flash drive

---

## Using the Secure Download

**Step 1** - Download the two files using the secure link provided by Skydio

- a **.zip file** which is the update for your X2D vehicle
- a **.tar file** which is the update for your Skydio Enterprise Controller

**Step 2** - Extract the .zip file contents

**Step 3** - Insert the USB-C flash drive into your computer

**Step 4** - Copy the folder named "offline\_ota" into the root level of your flash drive so that it is not contained inside any other folders

**Step 5** - Copy the .tar file onto the root level of your flash drive

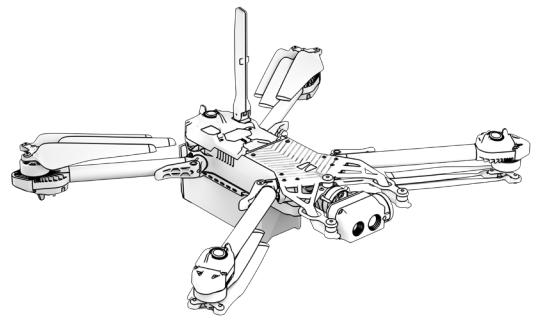
**Step 6** - Safely eject the flash drive from your computer

**Step 7** - Insert the flash drive into the USB-C port on the vehicle

**Step 8** - Power on the vehicle

- the update will begin automatically
- the lights on your drone will pulse blue
- the camera gimbal will disengage and go slack
- the process may take several minutes
- when the update is complete, the camera gimbal will re-engage

**Step 9** - remove the USB-C flash drive



**Verify you have correctly installed the update**

**Step 10** - power on your Skydio X2D and Skydio Enterprise Controller and connect

**Step 11** - Select the **INFO** menu

**Step 12** - Select **Paired Drone**

**Step 13** - Verify that the software version listed matches the software version provided by Skydio

---

## Update Skydio Enterprise Controller

**Step 1** - Power on your controller

**Step 2** - Select the **INFO** menu

**Step 3** - Select **Controller Update**

**Step 4** - Insert the flash drive or USB-C card reader into your controller

**Step 5** - Select **Update**

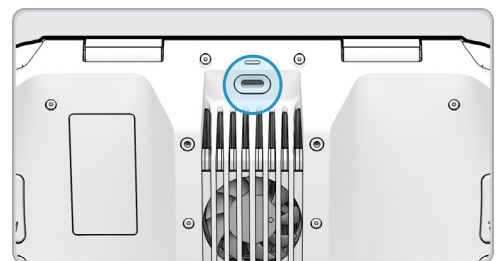
**Step 6** - Navigate to the flash drive or memory card root folder

**Step 7** - Select the update .tar file

**Step 8** - Select **Done**

- the update will begin automatically
- allow up to five minutes for the update to complete
- during this process, your controller may restart multiple times

**Step 9** - Verify that the version number onscreen matches the version number provided by Skydio



---

## Update Skydio Dual Charger

Skydio will notify you if there is an update available for the Dual Charger. To perform an update you will need:

- the Dual Charger
- an updated Skydio X2D vehicle
- two Skydio X2 batteries
- the USB-C cable

**Step 1** - Slide one battery on to the Dual Charger

**Step 2** - Insert one battery onto a Skydio X2D vehicle

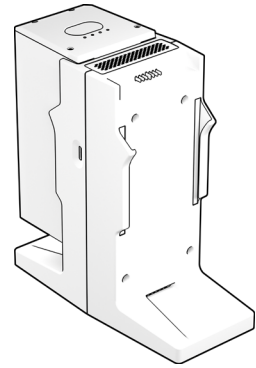
**Step 3** - Power on your drone by holding the power button for three seconds

**Step 4** - Allow the vehicle to fully to boot up

**Step 5** - Connect the USB-C cable from the vehicle to your Dual Charger

- the update will begin automatically
- the lights on the battery attached to the charger will pulse blue for several seconds
- the lights will turn off while the charger updates
- The update process can take up to 5 minutes
- the lights on the battery will turn green indicating that the update is complete

**Step 6** - Unplug the cable from the dual charger and the vehicle and the Dual Charger is ready for to use



---

## Format the flash drive

**To format the flash drive on a Windows computer:**

**Step 1** - Insert the drive into your computer

**Step 2** - Open your file explorer and navigate to your flash drive

**Step 3** - Right click and select Format

**Step 4** - From the drop-down menu select exFAT

**Step 5** - Select **Start**

**Step 6** - Select **OK** when prompted with the final confirmation message

**To format your flash drive on a Mac computer:**

**Step 1** - Insert the flash drive into your computer

**Step 2** - Open your disk utility >Select View >Show all devices

**Step 3** - Select the drive you wish to format

**Step 4** - Select **Erase**

**Step 5** - Input the name for the device

**Step 6** - Select exFAT under format

**Step 7** - Select the default or Master Boot Record for scheme

**Step 8** - Select **Erase**

**Step 9** - Select **Done** when the formatting is complete



**NOTE:** When you format a flash drive, everything on it will be permanently deleted. Ensure that you have any critical data backed up on a separate device before you format your flash drive.