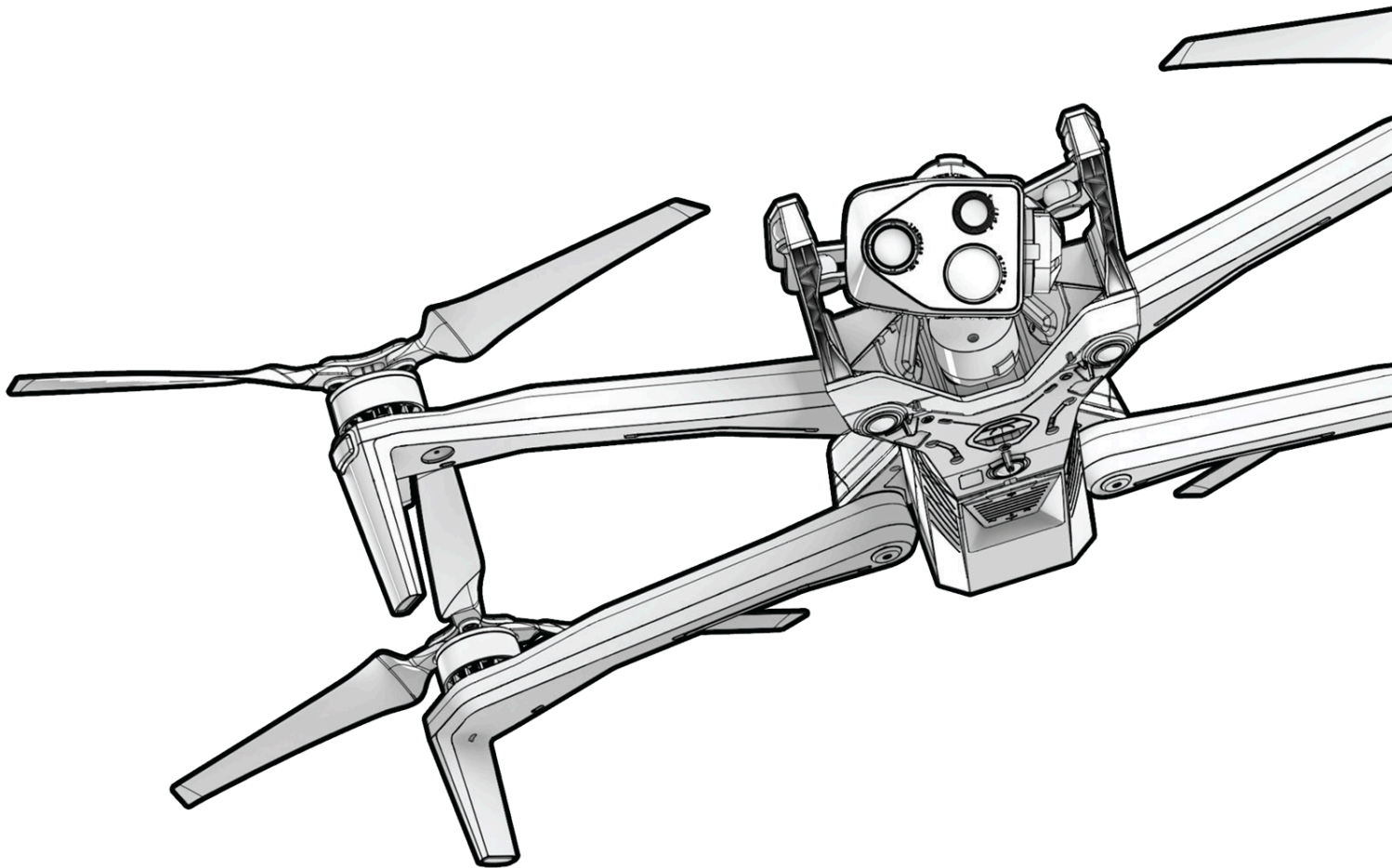




Skydio Connect Fusion+ Attachment



Skydio Connect Fusion+ Attachment.....	3
Product Overview.....	4
Skydio Connect Fusion.....	4
Skydio Connect Fusion+ Attachment.....	5
Technical Specifications.....	5
How to Install.....	6
Revision History.....	15

Skydio Connect Fusion+ Attachment

Model Number	SR47AFP
Regulatory Number	AA100

The Skydio Connect Fusion+ Attachment accompanies the Fusion+ service subscription. The Fusion+ hardware consists of a side-mounted cellular attachment for X10 and X10 Gen 2 that adds an additional active cellular signal. It is required to enable Fusion+ multi-radio connectivity.

Note:

The Connect Fusion+ Attachment is supported on Skydio X10 Gen 1 and Gen 2 Flight Systems with or without Skydio Connect 5G.

Skydio X10D Flight Systems are not supported.



NOTICE

Follow official documentation and updates.

Failure to follow any instructions or recommendations in Skydio documentation may void the Skydio Limited Warranty or other terms and conditions.

Please read all documentation provided with your Skydio X10, including but not limited to the X10 Safety Guidelines in the Safety and Operating Guide: www.skydio.com/safety.

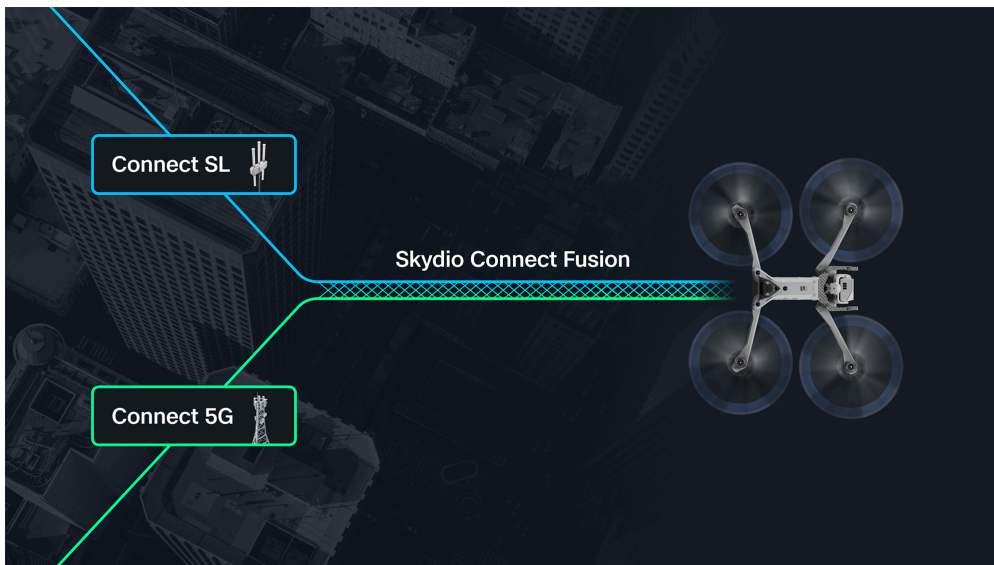
Skydio Connect Fusion and Connect Fusion+ Attachment Overview

This section contains information about Skydio Connect Fusion and the Connect Fusion+ Attachment.

Skydio Connect Fusion

Skydio Connect Fusion is a feature that manages Connect SL and Connect 5G to maintain a reliable video and control link. When both SL and 5G are available, the system monitors link quality and uses a bonded connection to maintain stable connectivity.

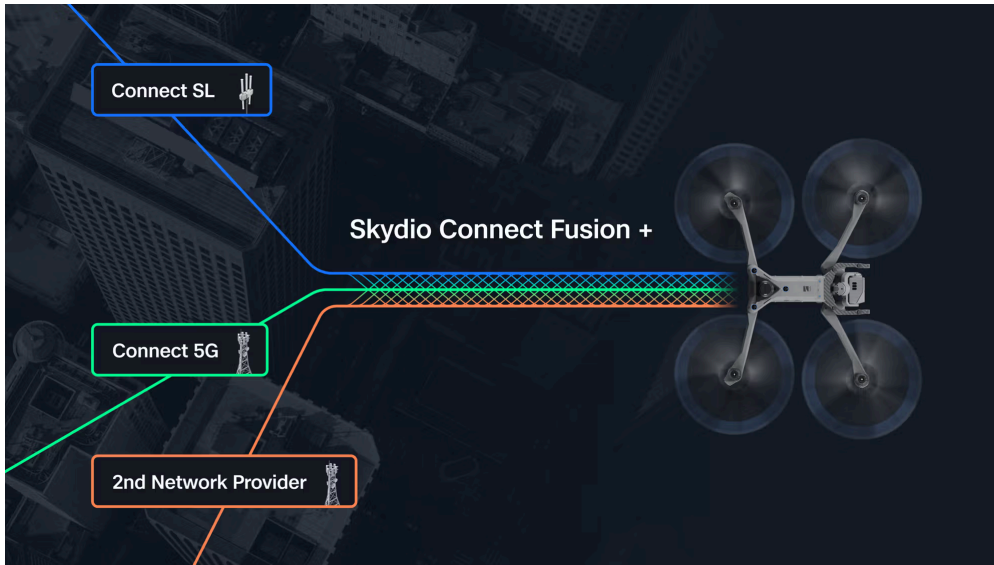
Fusion is built into the flight system and does not require manual configuration. It ensures continuity of remote operations even in environments with fluctuating signal strength.



Skydio Connect Fusion+ Attachment

The Skydio Connect Fusion+ attachment is an active cellular radio that is designed for the X10 drone (both Gen 1 or Gen 2) to add a second cellular connection. This is useful for adding throughput for higher video quality and navigating through cellular “dead zones.”. The attachment enables Skydio Fusion to use up to 3 radios: Connect SL, internal 5G, and the Fusion+ cellular link.

The Connect Fusion+ Attachment is IP55 rated and connects by default to the A3 Attachment Bay (right side of the drone). The attachment may also be configured to attach to the A4 attachment bay (left side of the drone).



Technical Specifications

Description	Specification
Dimensions	Enclosure: 120.2 x 80.6 x 27.4 mm
Weight	0.19 lbs (85 g)
Attachment location	Right (A3 Port) or Left (A4 Port)
Ingress Protection Rating	IP55
Operating Temperature	-4°F to 113°F (-20°C to 45°C)
Storage Temperature	-40°F to 176°F (-40°C to 80°C)
Operation frequency	600 MHz-4400 MHz
Supported Power Class	PC2
Wireless range	Connect 5G: Unlimited (wherever cellular coverage is available)

How to Install a Connect Fusion+ Attachment

This procedure explains how to install a Connect Fusion+ Attachment on an X10 Drone.



Model Number	SR47AFP
Regulatory Number	AA100

Required Items

Parts

Qty	Item	Part Number / SKU	Notes
1x	Connect Fusion+ Attachment	DR4SWFUSPLWPS	With a Wireless Priority Service (WPS) 5G Data Plan
		DR4SWFUSPL	With a Build Your Own Plan (BYOP)
1x	SIM Card (Nano 4FF)	N/A	

Fasteners and Consumables

Qty	Item	Part Number / SKU	Torque / Notes
3x	M2.5 Fasteners	N/A	Skydio Torque Tool ONLY: 28 cNm

Tools

Qty	Item	Part Number / SKU	Notes
1x	Skydio Torque Tool	DR4ACCTT	Skydio Tool
1x	2 mm Hex Tool	N/A	Standard Tool
1x	Vibra-Tite VC-3 Threadmate	N/A	Standard Tool

Safety

WARNING:

Loose attachment cabling or USB connection. Loose or unsecured cabling may contact or obstruct the propeller. These conditions can result in unexpected loss of flight, serious bodily injury, or damage to property. Ensure the USB connector is fully connected and all cabling is properly routed clear of the propellers. Do NOT operate the Drone if any looseness, movement, rattling, abnormal noise, or connection issues are present. Before flying, if any of the above conditions are present, reseal the attachment and correct the condition.

WARNING:

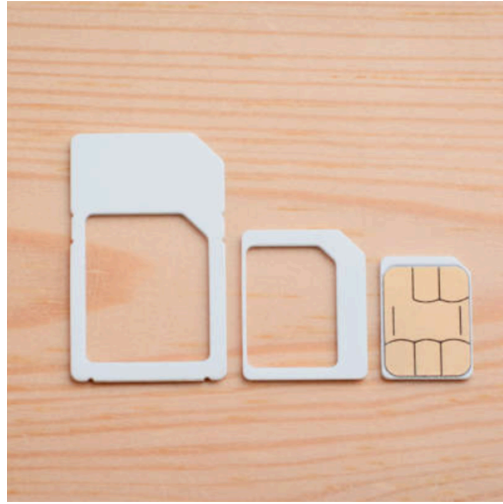
Improperly torqued fasteners. The attachment may loosen or detach during operation. This condition can result in unexpected loss of flight and risk of serious bodily injury or damage to property. Do NOT hand-tighten fasteners. Use provided tooling. Do NOT operate the Drone if any looseness, movement, rattling, abnormal noise are present. Before flying, if any of the above conditions are present, reseal the attachment and correct the condition.

CAUTION:

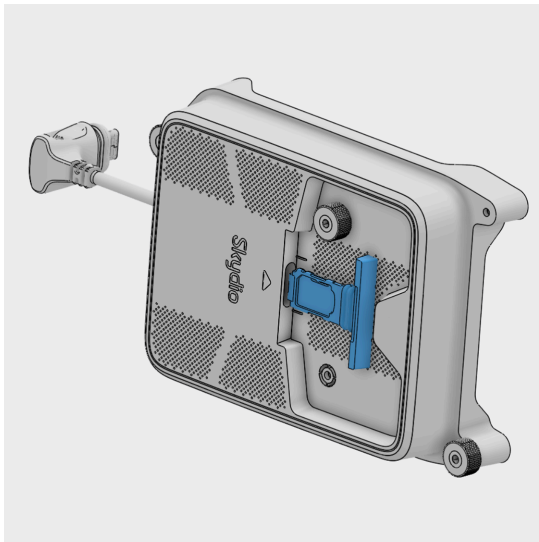
Potential loss of signal or corrosion due to water ingress. Ensure SIM Cards are free of dirt and debris. Do NOT install wet SIM Cards. When installing SIM Cards, do NOT use excessive force.

SIM Card Installation

1. If necessary, remove the SIM Card from the packaging.
Ensure the following:
 - a. The SIM Card size is Nano (4FF).



- b. The SIM Card is not damaged or bent.
2. Before installing a SIM Card, ensure the attachment is removed from the drone.
3. Position the attachment on a flat surface.
4. Carefully pull the SIM Tray out from the attachment.

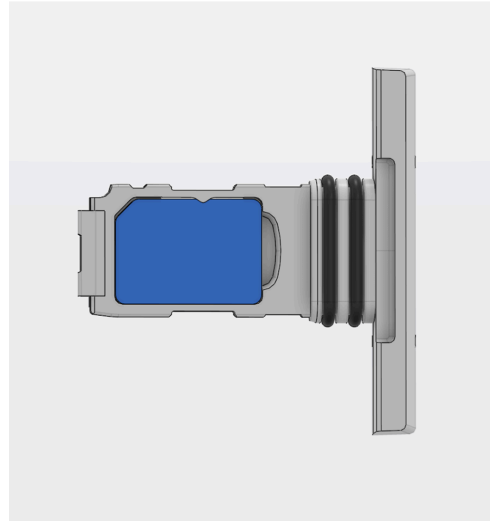
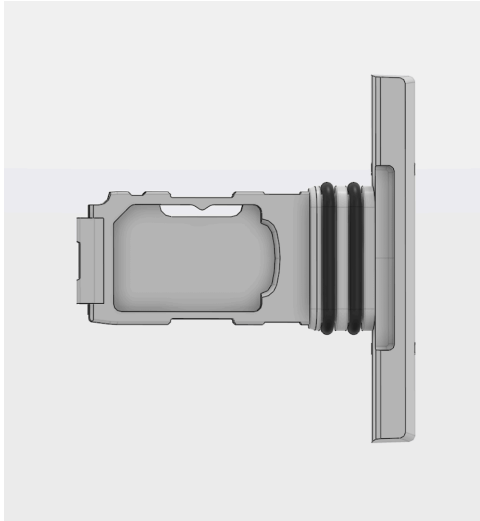


5. Install the SIM Card in the SIM Tray.

CAUTION:

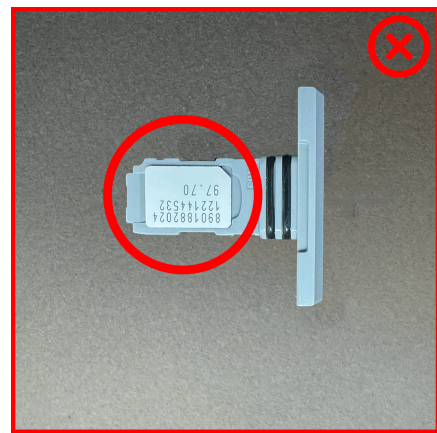
Potential loss of signal or corrosion due to water ingress. Ensure SIM Cards are free of dirt and debris. Do NOT install wet SIM Cards. When installing SIM Cards, do NOT use excessive force.

- a. Install 1x SIM Card to the slot on the SIM Tray.
The SIM Card will lightly snap into place.

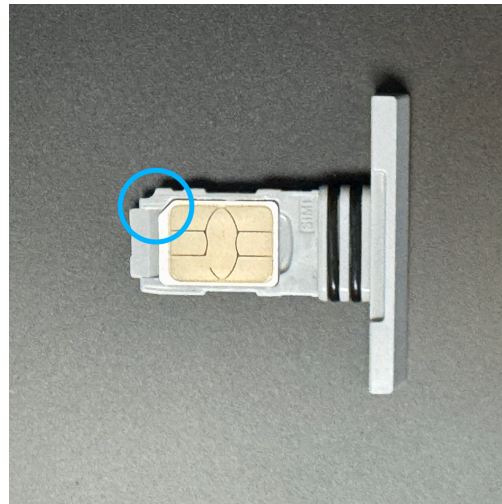


- b. Ensure the following:

- The contact pad on the SIM Card faces up/out.



- The angled side of the SIM Card must align with the angled edge of the SIM Tray.



6. Insert the SIM Tray with installed SIM Card into the attachment.

- a. Align the SIM Tray to the attachment.

Install the SIM tray with the SIM slot facing up, identifiable by its solid plastic end.

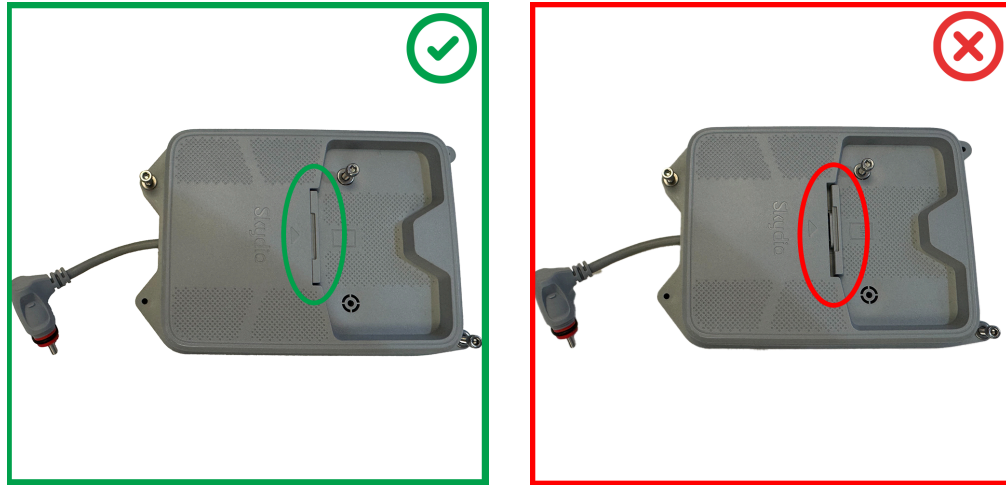


- b. Carefully insert the SIM Tray into the attachment.

Once fully seated, the SIM Tray will click into place.

Ensure the following:

- The SIM Card is fully seated in the SIM Tray.
- To prevent water ingress, the o-rings must be fully seated inside the attachment.



Connect Fusion+ Attachment Installation

The Connect Fusion+ Attachment is packaged with the following:

- 3x Captive fasteners
- 1x 2 mm Hex Tool
- 1x User Manual
- 1x Legal Document

1. Align 1x Connect Fusion+ Attachment to the left or right side of the X10 Drone.

Note the following:

- The SIM Card is installed in the Cellular Fusion+ Attachment.
- Before installing the attachment on the right side of the drone, memory cards should be installed on the drone.
- For the left side, ensure the USB-C wire is routed towards the rear of the drone and aligned with the A3 USB port.
- For the right side, ensure the USB-C wire is routed towards the rear of the drone and aligned with the A4 USB port.

Important:

Installing to the right side will block access to Drone Memory Card slots.

2. For Dock-based systems ONLY: Apply Vibra-Tite VC-3 Threadmate to 3x attachment screws.

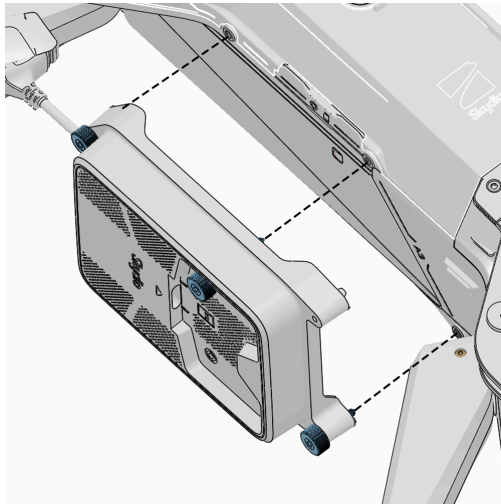
- a. Apply a single droplet of Vibra-Tite VC-3 Threadmate to the threads of each attachment screw.



- b. Before securing the attachment to the drone, allow the VC-3 to cure for ~30 minutes.

3. Align the Connect Fusion+ Attachment to the drone.

- a. Ensure 3x M2.5 fasteners align with 3x fastener holes.



- b. Ensure Attachment points on the Connect Fusion+ Attachment align with mounting points on the drone.

4. Secure the Connect Fusion+ Attachment to the X10 Drone.

WARNING:

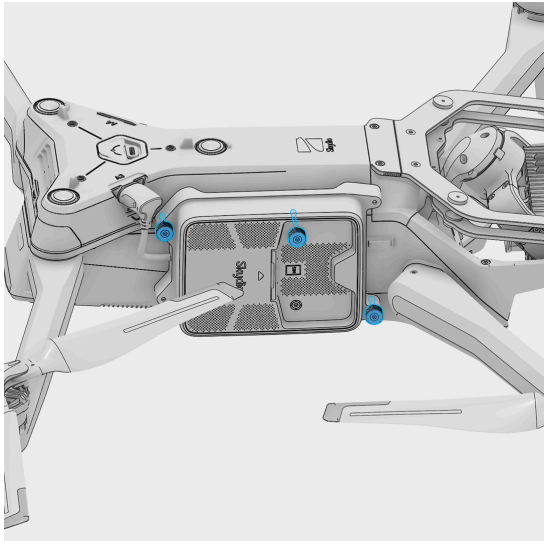
Improperly torqued fasteners. The attachment may loosen or detach during operation. This condition can result in unexpected loss of flight and risk of serious bodily injury or damage to property. Do NOT hand-tighten fasteners. Use provided tooling. Do NOT operate the Drone if any looseness, movement, rattling, abnormal noise are present. Before flying, if any of the above conditions are present, reset the attachment and correct the condition.

- a. For customers that have a Skydio Torque Tool: Tighten 3x M2.5 fastener with a Skydio Torque Tool.
Torque: Skydio Torque Tool ONLY: 28 cNm

- b. For customers that do NOT have a Skydio Torque Tool: Tighten 2x M2.5 fasteners with a 2 mm hex torque driver.

Ensure the following:

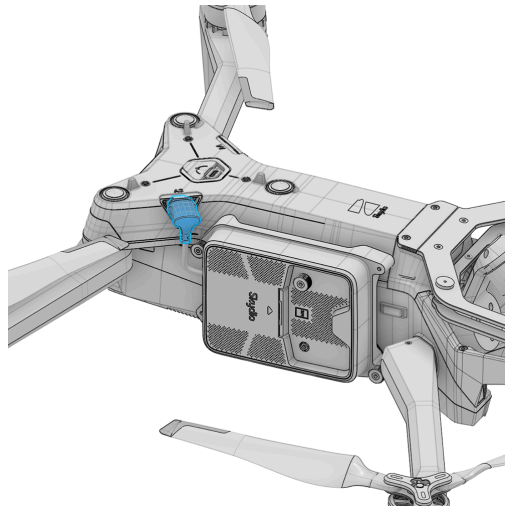
- To tighten, use the long end of a 2 mm hex tool.
- Tighten until snug.
- Do NOT over-tighten the fasteners.



5. Connect 1x USB-C wire harness connection from the Connect Fusion+ Attachment to the X10 Drone.

- a. Disengage 1x Rubber USB Cover from the A3 attachment bay on the Drone.

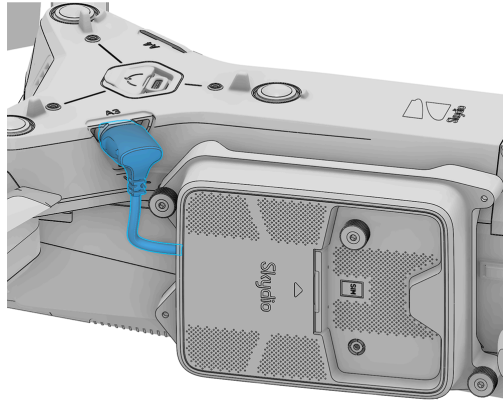
A3 USB Cover Right Side Location



- b. Connect the USB-C wire to the A3 USB-C port on the Drone.
Verify the connection is fully seated and secured.

Note:
For a complete connection, the red weather seal should not be visible.

Connect Fusion+ Attachment USB-C Wire Harness Connection



Function Check

- Once installed, the Connect Fusion+ Attachment will automatically power on when the drone is powered on.
- Installation of the Connect Fusion+ Attachment can be verified via the X10 Controller (appears in the attachments list) or in Skydio Cloud on the Drone or Attachments Device Page.
Note the following:
 - Once powered on, the attachment will initialize after ~1 minute.
 - Depending on the configuration, the SIM Card may be preinstalled at shipment. Skydio inspects the SIM Card and modem at the factory before every shipment for quality and functionality.
 - For BYOP, the SIM Card is installed and activated by the customer. For installation guidance, see: [Skydio X10 Bring Your Own Cellular Plan](#).
- To safeguard against the loss of a vehicle in the event of a lost SIM Card connection, the drone will execute Return to Home behavior.
- Verify functionality of the drone by completing a Functional Check Flight.

Important:
Prior to folding up and packing the X10 Drone, the Connect Fusion+ Attachment must be removed.

Revision History

Revision	Description	Date
1	Release for Early Access Plan (EAP) Customers.	January 30, 2026
2	Updated SIM Card from Micro to Nano.	February 11, 2026
3	Official release. Updated for fastener guidance.	April 3, 2026